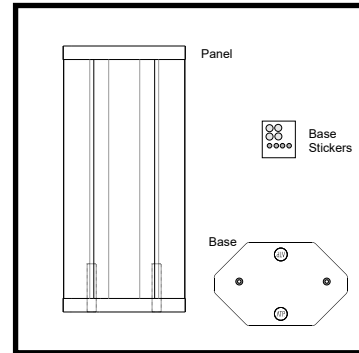


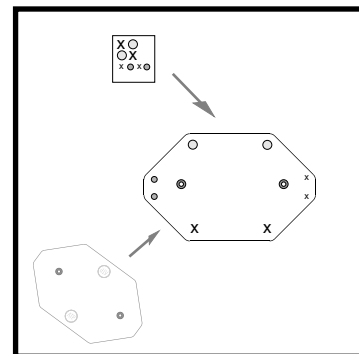
ATP® BABS

After opening the box separate all the parts.

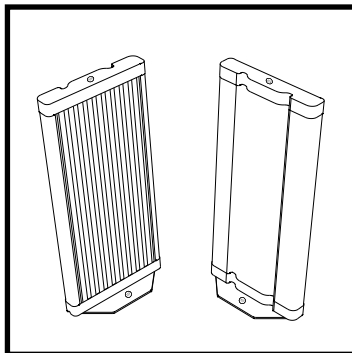
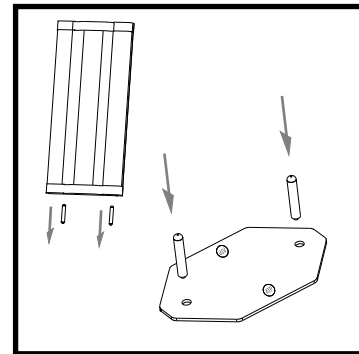
After, flip the base to attach the base stickers as shown on figure.



Remove the threaded sockets inside the panel and attach it on the base.



Then just snap the panel on the base ...



...and that's it!
You're ready to rock!

