



CERAFLECTOR®

DIFFUSION PANEL



PORCELAIN

WOOD



Image of 60x60cm model Ref. CER060 (on the left) and the same model applied (ambient image).

DESCRIPTION

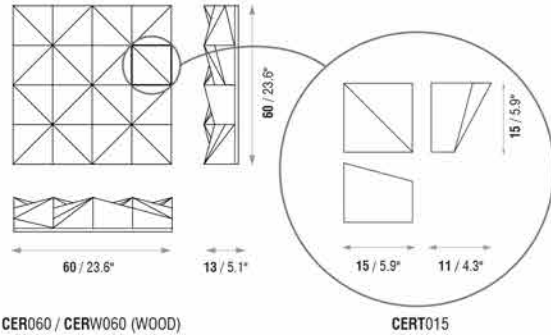
The acoustic treatment panel CERAFLECTOR® is a 3D controlled dispersion multidirectional reflection panel and its modular design makes it unique in the market. It is built in two different models: in porcelain (CER060) and in wood (CERW060).

The angles of reflection of this radial diffusion panel were thoroughly calculated. The depth factor is logarithmically varied and it is, therefore, a three-dimension omnidirectional reflection panel.

The CERAFLECTOR® panel controls primary reflections and fragments them in 64 vertices of incidence using the theoretical numerical sequence ratio of the primitive root as a basis for calculation. Thus, it produces exceptional results of sound diffusion in all directions and provides spaces with considerable sound perception.

M1 fire resistant. Available in several colours.

TECHNICAL DRAWINGS



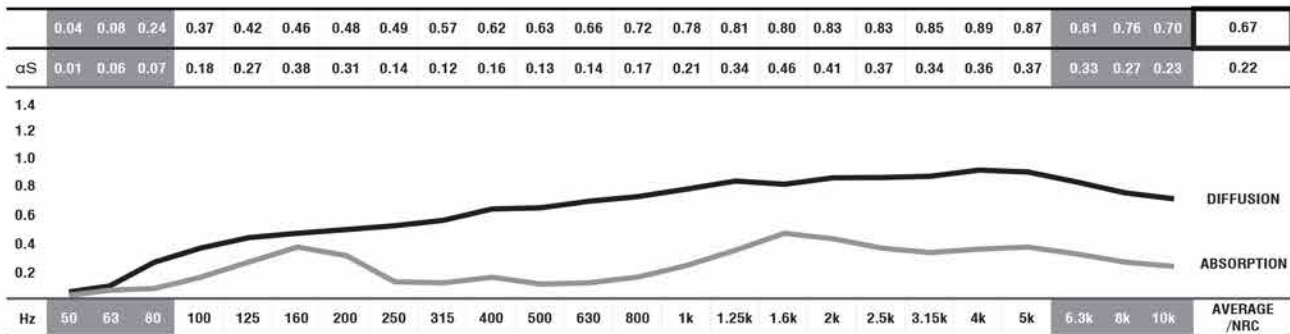
FEATURES

- Two models available: porcelain or Wood.
- Average diffusion: $0.67/m^2$ [$>100Hz$; $<5KHz$].
- NRC: $0.22/m^2$ [$>250Hz$; $<10KHz$].
- 100% recyclable.
- Fire-resistance: Euroclass A1 (similar to old M0) for porcelain; B-s1,d0 (similar to old M3) for the wood model.
- Installation: accessories included.
- Manufactured with self-sustainable forest wood.
- Finished with ecological veneers.
- Package: 2 units.

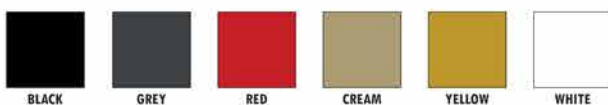
MODELS AND SIZES

MODELS	HEIGHT	WIDTH	DEPTH	WEIGHT
CER060	60 cm (23.6 in)	60 cm (23.6 in)	13 cm (5.1 in)	23.7 Kg (52.25 lbs)
CERW060	60 cm (23.6 in)	60 cm (23.6 in)	13 cm (5.1 in)	22.6 Kg (38.80 lbs)
CERT015	15 cm (5.9 in)	15 cm (5.9 in)	11 cm (4.3 in)	1.4 Kg (3.09 lbs)

DIFFUSION - ABSORPTION COEFFICIENT



STANDARD CERAMIC COLOURS



WOOD VENEER FINISHINGS



IMPORTANT NOTICES

- JOCAVI® accepts no responsibility for any printing errors. Specifications can be modified without prior notice, if technical or commercial reasons so require.
- RAL® is an international independent colour standard system partner for industry, trade, architecture and design. Should be consulted before placing any order.
- The colours shown on this catalogue are only a reference and an illustration of the products finishing. The colours shown are not binding because brightness, contrast and colour balance may vary due to the printing process.
- Colours may vary due to raw-material suppliers' changes and some differences may occur in total range.
- Sizes may vary slightly due to their production method and some inherent raw-materials characteristics.