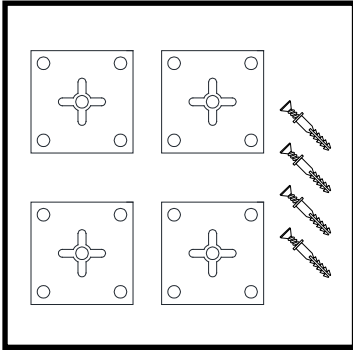
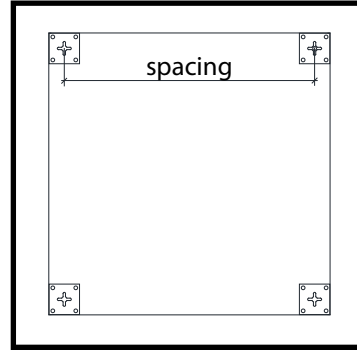


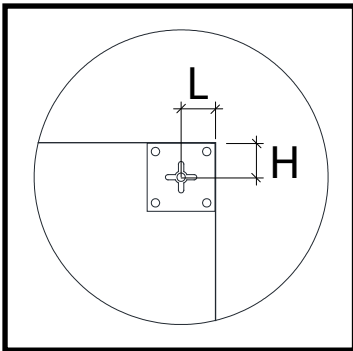
| ABSTRACT | ADDSORB | ARCHTRAP | BASSLAYER | CERAFLECTOR | CONVEXABSORBER | DIAMOND | DYNAMIC-FLOW | EBONY | EFFECTFUSER | LEAKY FM | LIGHTWALLTRAP | LOWNOTE W | MELLOWALLTRAP | NEO 3Q | NEO 6Q | PLURA | RIPPLE | SQUARYDIFFUSOR | TUNEFLECTOR | TWO FX | WALLTRAP | WOODFOIL | WOODFOIL AB |



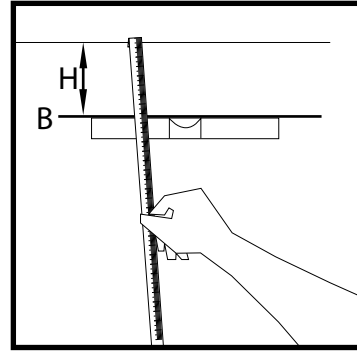
Accessories' kit; the product is supplied with mounting accessories.



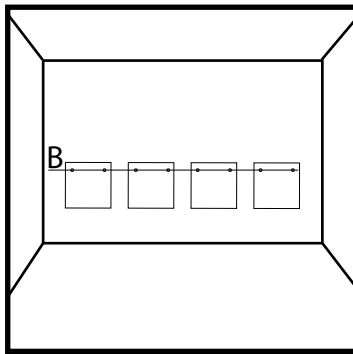
Locate the metal brackets on the back of the panel and measure and take note of each "spacing".



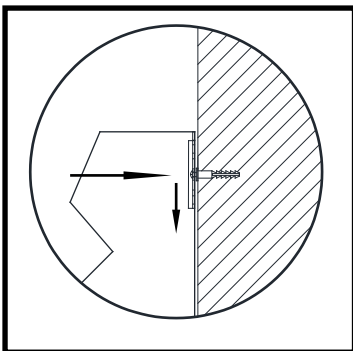
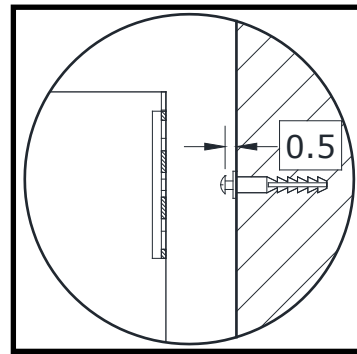
Measure "L" and "H" distance on the back of the panels on both sides.



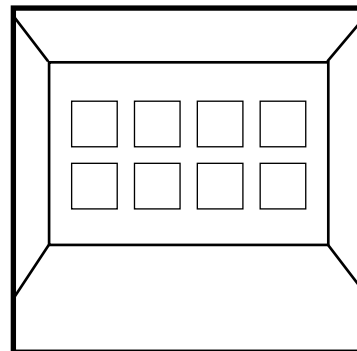
Measure the placement of the panel using a tape measure, a pencil, a ruler and a level. From the top panel line, measure and orthogonally mark the "H" distance.



With a level define the "B" line, then mark on it the measured spacing, and two suspension points per panel on the wall. After verifying all measurements, drill 2 holes on the wall per panel, install both sleeves and 2 screws. Leave the tip of the screws approx. 5 mm from the wall.



Slide the panel so the center back cavity on the metal plate enter the 2 screws and gently slide it down.

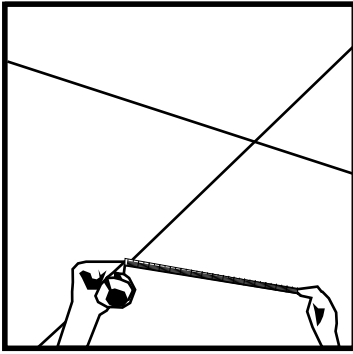


First mark and install the bottom row of panels.

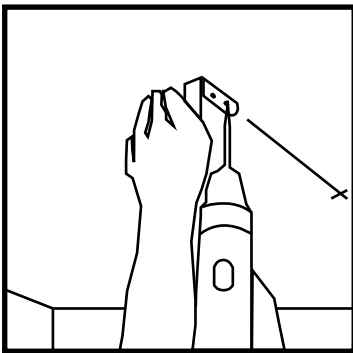
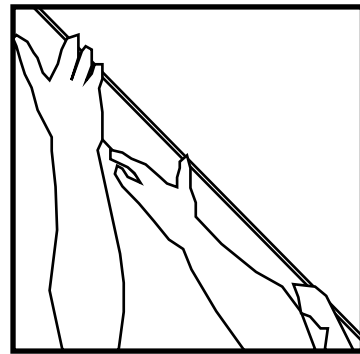
Secondly mark and install the top row of panels.



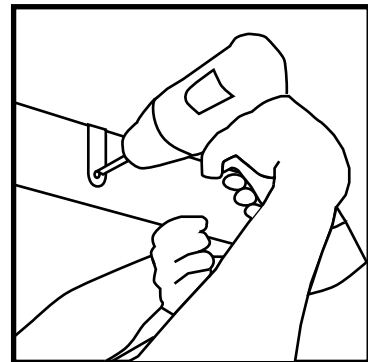
| ADDSORB | BASSLAYER | CERAFLECTOR | CONVEXABSORBER | DIAMOND | DYNAMICFLOW | EBONY | EFFECTFUSER | LEAKY FM | LIGHTWALLTRAP | LOWNOTE W | MELLOWALLTRAP | NEO 3Q | NEO 6Q | PLURA | RIPPLE | TUNEFLECTOR | WOODFOIL | WOODIFFUSOR |



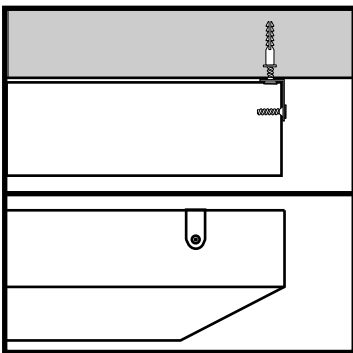
To determine the placement of the panel use a marker, a measuring tape and a ruler to mark the needed 4 points per panel on the ceiling. Placement aprox. 15cm from the vertices of the panel. Make 4 drilling points on the ceiling and insert the sleeves in the ceiling.



Use a screwdriver to attach the 4 mounting L-shaped metallic accessories to the ceiling. Fit the panel between the L-shaped metallic accessories and screw them to the sides of the panel.



You will achieve this result, seen from side view



Accessories' kit; the product is supplied with the necessary accessories.

