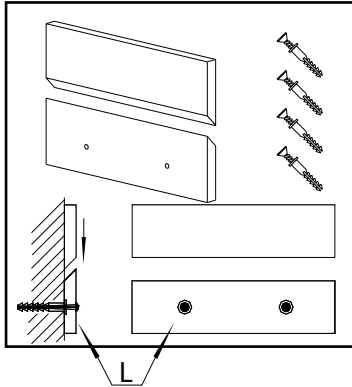
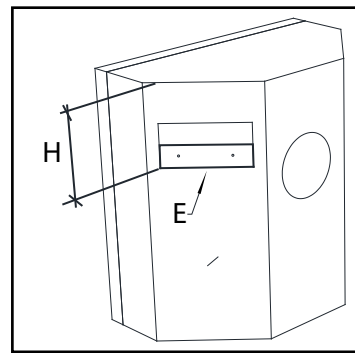
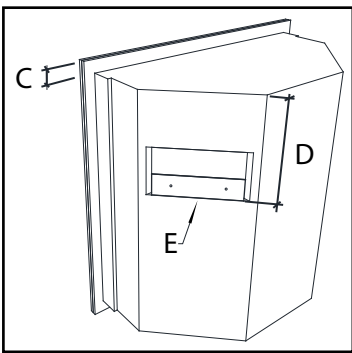
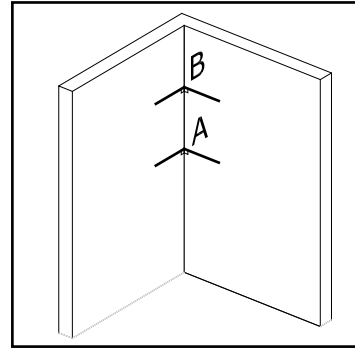


| HUMCUT BXA | LOWNOTE C | STAITREAT BXA | TONAL C |

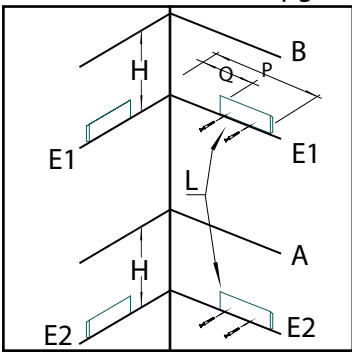


Accessories' kit; the product is supplied with mounting accessories.

On the wall's corner measure mid height and mark point "A". Now mark point "B" ensuring it apart from point "A" for at least 60,2cm. Mark ortogonal auxiliary lines passing through points "A" and "B". Locate lower mounting accessories on the back of the panel. Depending on the model, measure and use (C+D) ◀ or ▶ "H", spacings. Measure the placement of the panel using a tape measure, a pencil, a ruler and a level bubble. From the highest panel line, measure and ortogonally mark the "H" or (C+D) spacing. With a level define the "E" line. Center the accessory on the wall inserting a pencil through the wooden accessory's holes to mark the needed points on the wall.



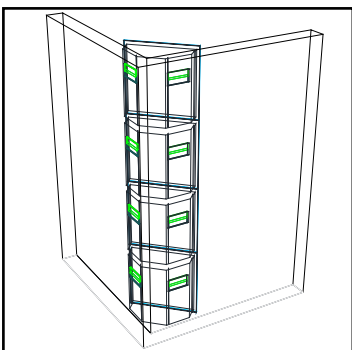
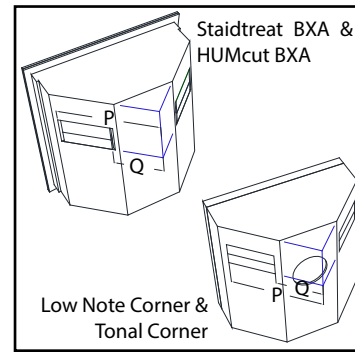
Always double check all measurements before marking and/or drilling as they can vary between model and/or model upgrades.



Mark two ortogonal "E" lines per panel on the wall, ensuring "H" spacing in relation to line "A".

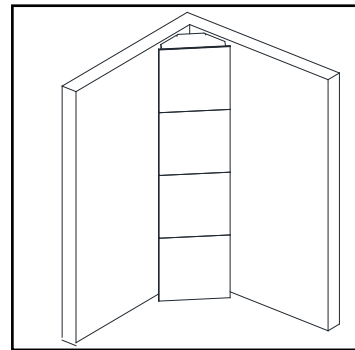
For more than one panel do the same for each panel. ◀

Mark the "L" pieces on the wall using appropriate model distances refer to "P" and "Q". ▶

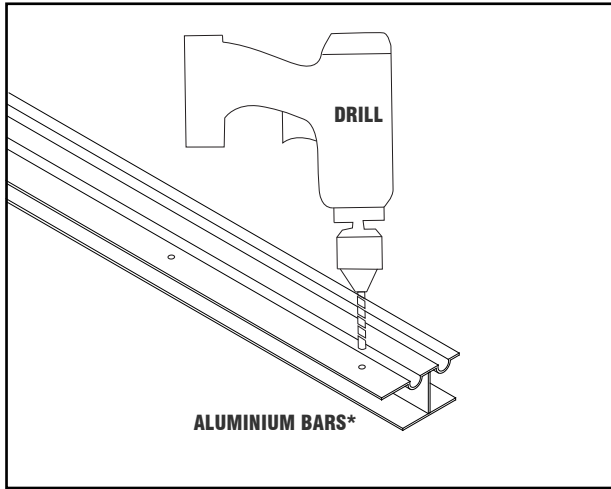


Use a level bubble tool to level the supporting "L" accessories onto the wall to ensure they are horizontally leveled and attach them as shown.

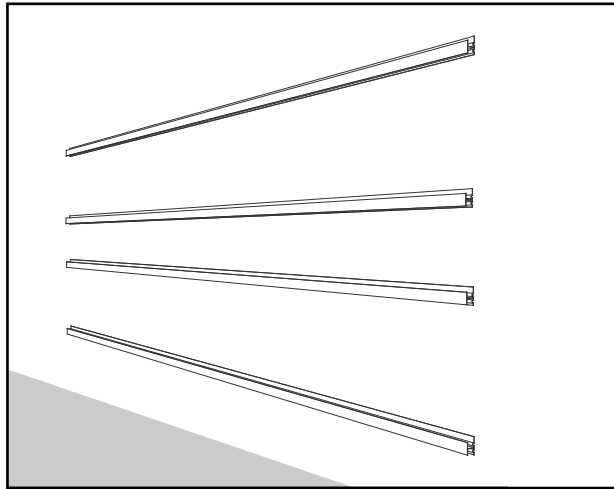
After ensuring stability and robustness of the "L" supporting mounting accessories, gently slide each panel to fit. ▶



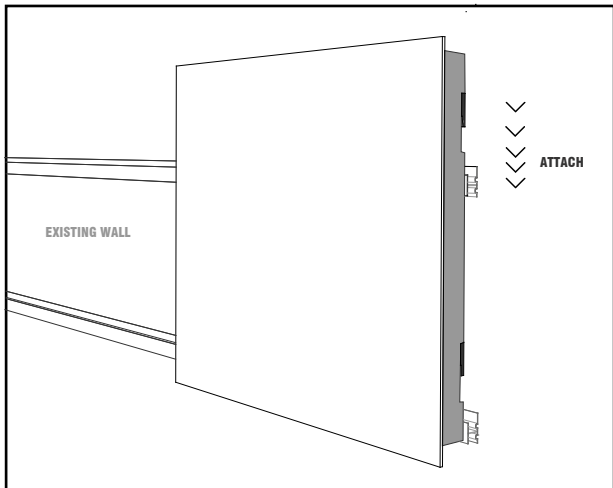
INSTALATION: SCHEMATIC DRAWINGS



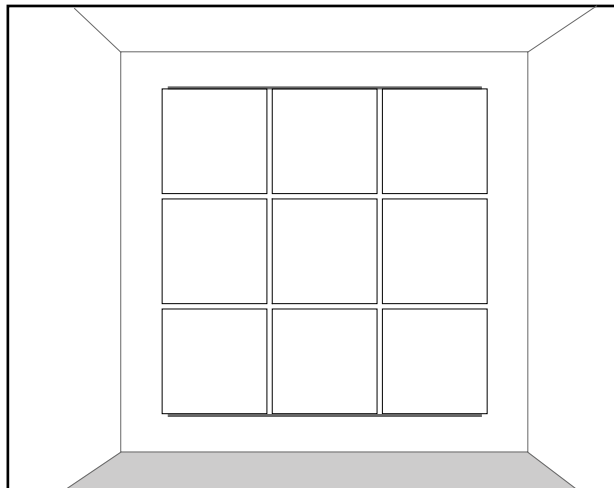
Drill the holes in the optional aluminium bars* (sold separately).



Fix the aluminium bar to the walls using the appropriate plugs and screws according to the surface base.



Then, attach the panel to connect with the aluminium bar into the correct position.



Repeat the operation until you have all the panels placed on the Walls.

