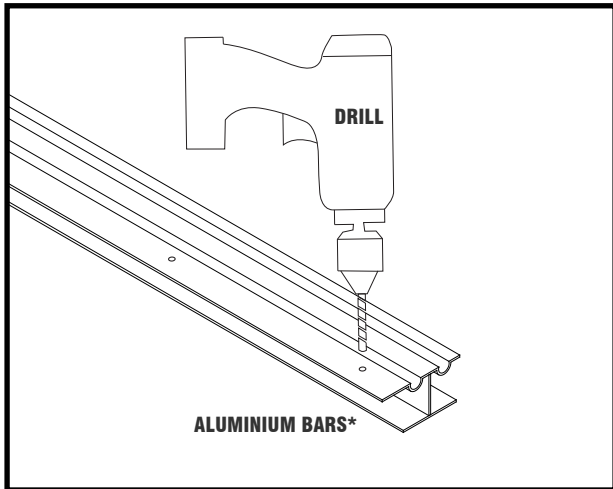
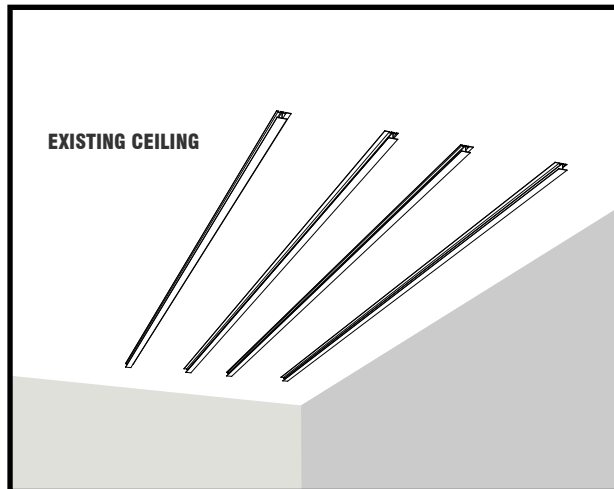


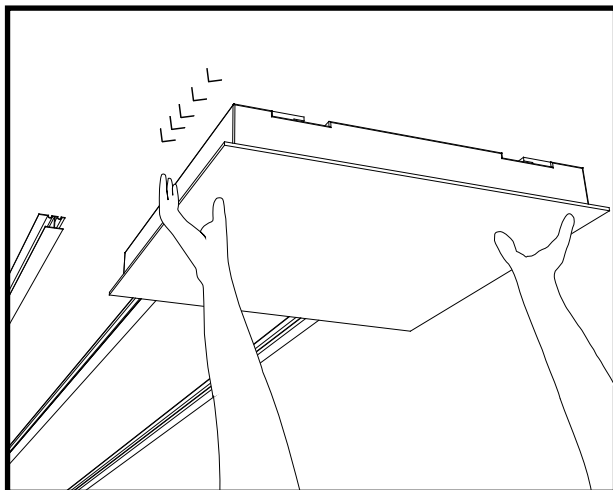
INSTALLATION: SCHEMATIC DRAWINGS



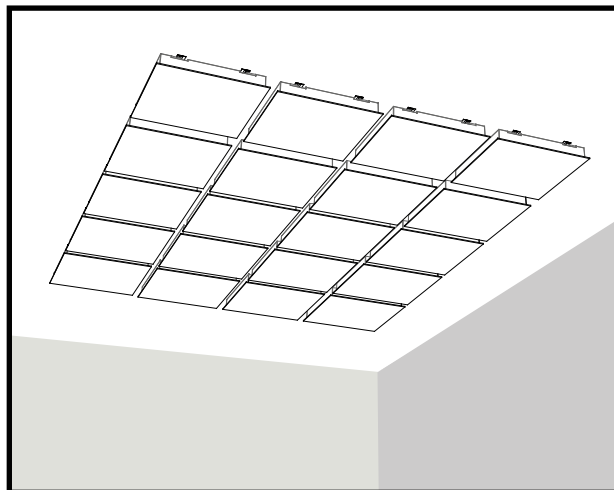
Drill the holes in the optional aluminium bars* (sold separately).



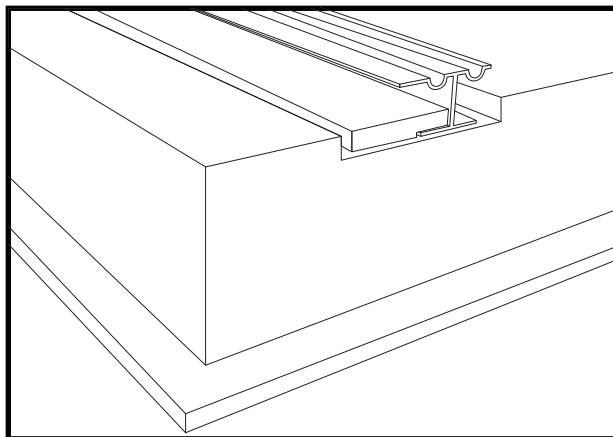
Fix the aluminium bar to the ceiling using the appropriate plugs and screws according to the surface base.



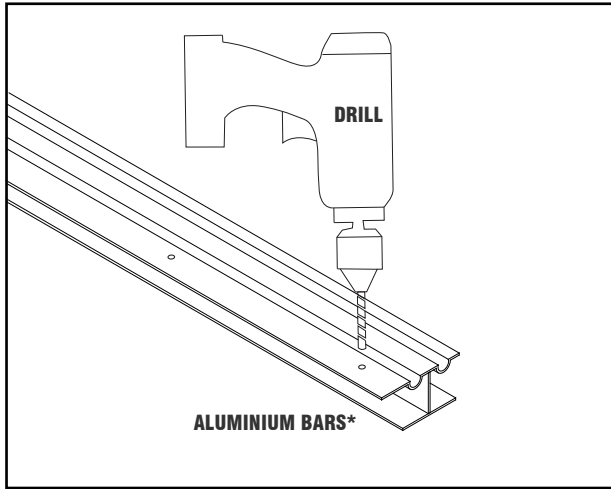
Then, attach the panel to connect with the aluminium bar and slide it into the correct position.



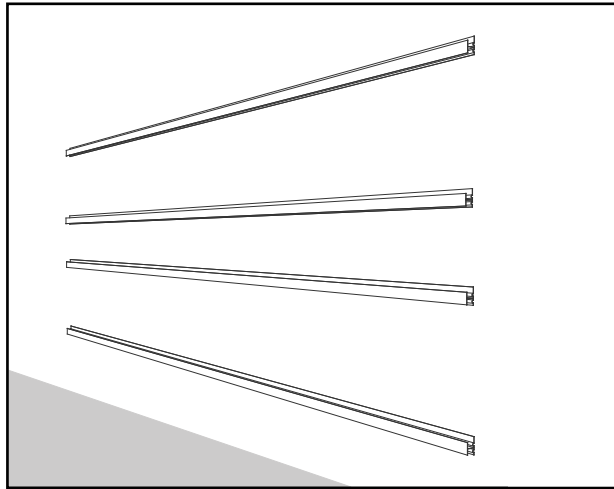
Repeat the operation until you have all the panels placed on the Ceiling.



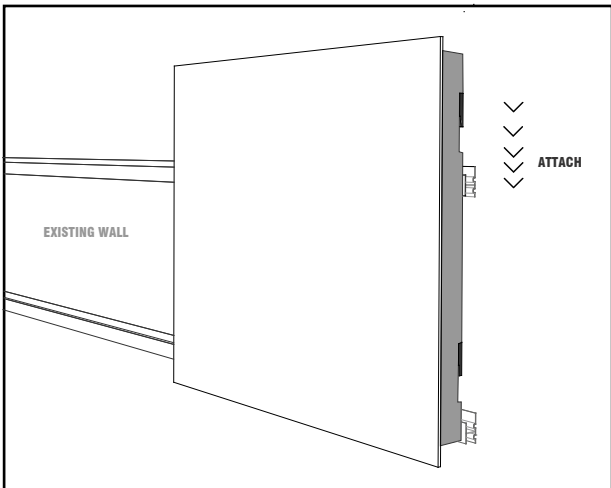
INSTALATION: SCHEMATIC DRAWINGS



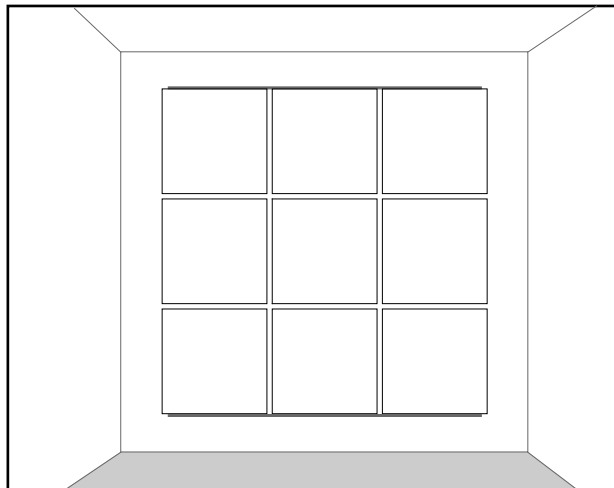
Drill the holes in the optional aluminium bars* (sold separately).



Fix the aluminium bar to the walls using the appropriate plugs and screws according to the surface base.



Then, attach the panel to connect with the aluminium bar into the correct position.



Repeat the operation until you have all the panels placed on the Walls.

